

→ PR 1119 (EETS - Early English Text Society series)

PE to PN ↑

P to PE ↑

LF to P ↑

DA to LF ↑

BS to DA ↑

A to BS (Start) ↑

OVERSIZE

PERIODICALS

IN-HOUSE A to AW

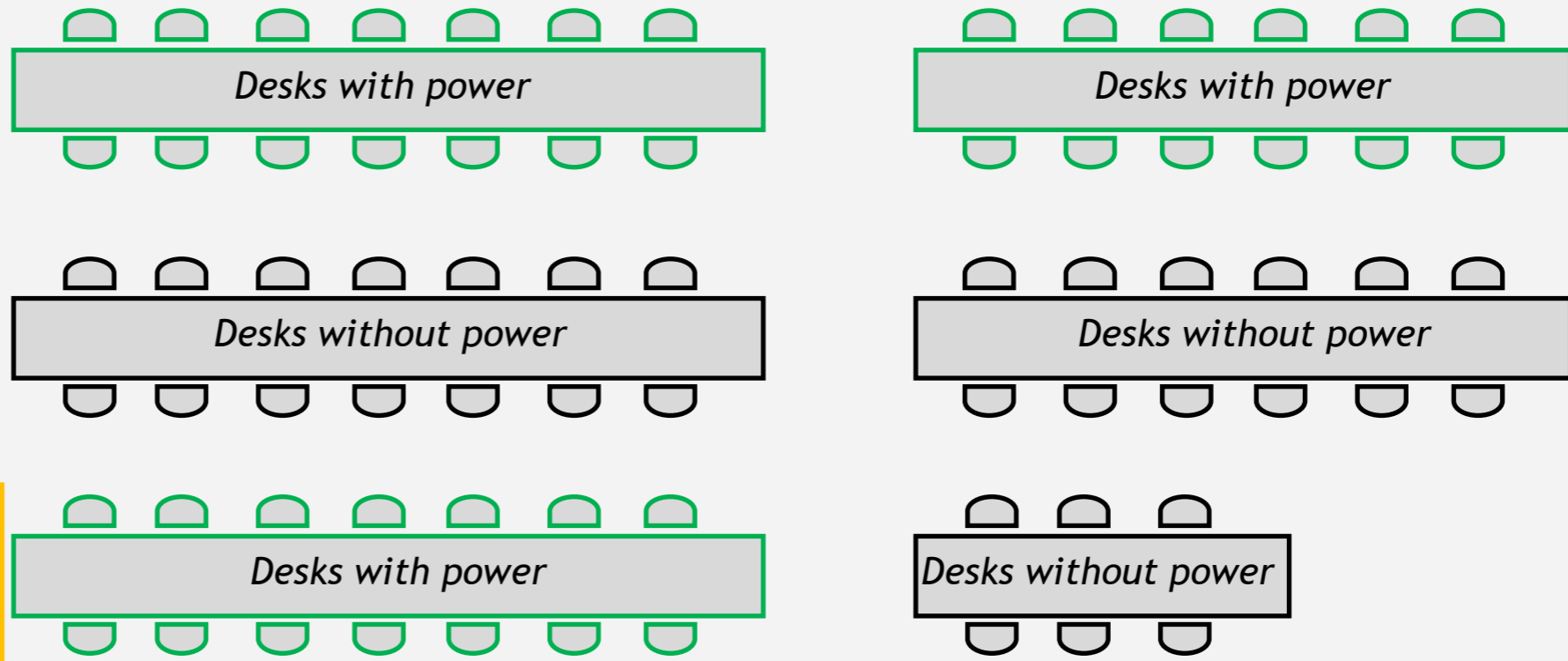
SELF-COLLECT

Catalogue Stand

PN	PN	PN to PQ	PQ to PR 428	PR 428 to PR 635	PR 635 to PR 1174	PR 1175 to PR 1924	PR 1924 to PR 2343	PR 2343 to PR 2411	J 1.3 to J 11.3
----	----	----------	--------------	------------------	-------------------	--------------------	--------------------	--------------------	-----------------

↓ J 11 to J 61

Computer Room



Height adjustable Desk

↓ J 61 to M 54

Shakespeare films

Quick Search PCs

Help Desk

Entrance/Exit

Stairs

Film Collection

Library Office & Lift